

## Single Mode Filter Coupler

Features	
Low Insertion Loss & High Isolation High Stability and Reliability	
Application	
Fiber Amplifier、Fiber Laser、Fiber Instrument	

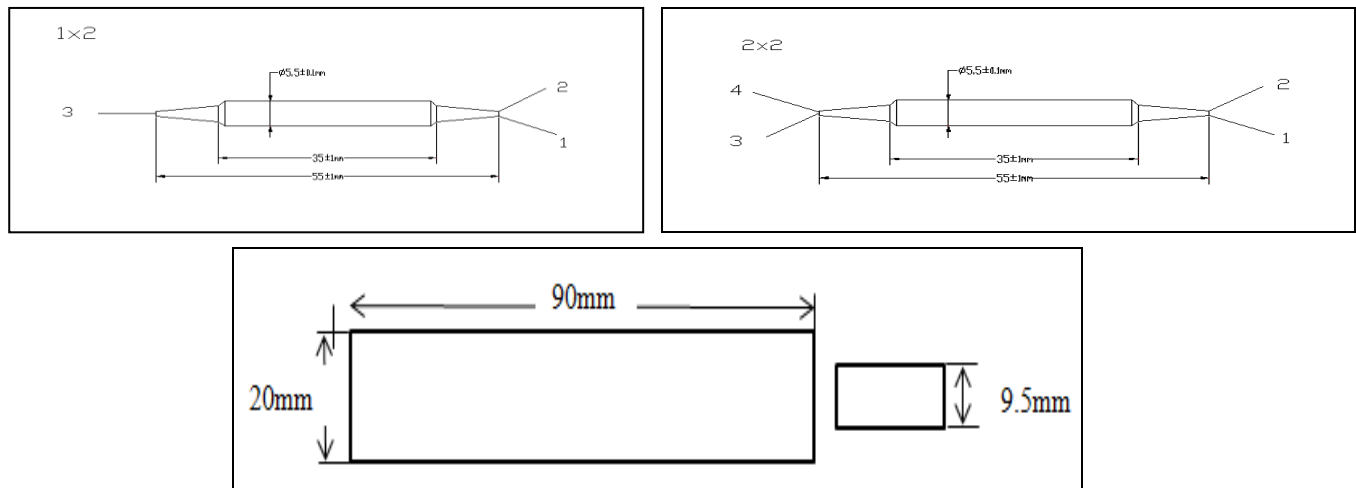
### Specifications

Parameter	1x2		2x2	
Center Wavelength (nm)	1310、1480、1550	1030、1064	1310、1480、1550	1030、1064
Operating Wavelength Range (nm)	±40			
Excess Loss (dB)	≤0.8	≤1.0	≤1.1	≤1.3
PDL (dB)	≤0.15			
Uniformity (only for 50/50) (dB)	≤0.6		≤0.8	
Tap Ratio (dB)	1±0.2%, 5±1.0%, 10%, and 50%			
Return Loss (dB)	≥50			
Power Handling (mW)	≤300			
Operating Temperature (°C)	0 ~ +70			
Storage Temperature (°C)	-40 ~ +85			
Dimensions (mm)	φ5.5 × L35(P1) (only for bare fiber or 900um loose tube)			
	L90*W20*H9.5 (ABS) (P2) (only for 3mm or 2mm cable)			

\*Above specifications are for device without connector.

\*For devices with connectors, IL will be 0.3dB higher, RL will be 5dB lower.

### Package Dimensions:



### Ordering Information:

SMFC	Wavelength	Type	Coupling Ratio	Fiber Type	Package type	Pigtail Type	Length	Connector
	1030=1030nm 1064=1064nm 1310=1310nm 1480=1480nm 1550=1550nm 1580=1580nm	1=1x2 2=2 x2	1=1/99 2=2/98 3=3/97 4=4/96 5=5/95 A=10/90 B=20/80 C=30/70 D=40/60 E=50/50	1=SMF-28e 2=HI1060	1=Φ5.5XL35mm 2=90*20*9.5mm	1=250um bare fiber 2=900um loose tube 3=3mm loose tube 4=2mm loose tube	H=0.5m 8=0.8m 1=1.0m 5=1.5m 2=2.0m 3=3.0m 4=4.0m A=2.5m B=5.0m	0=None 1=FC/UPC 2=FC/APC 3=LC/UPC 4=LC/APC 5=SC/APC 6=SC/UPC