

Multimode Manual Variable Optical Attenuator (MMVOA)

Features	
High precision Wide attenuation range Low IL Compact size	
Application	
Optical communication systems test Optics lab use	

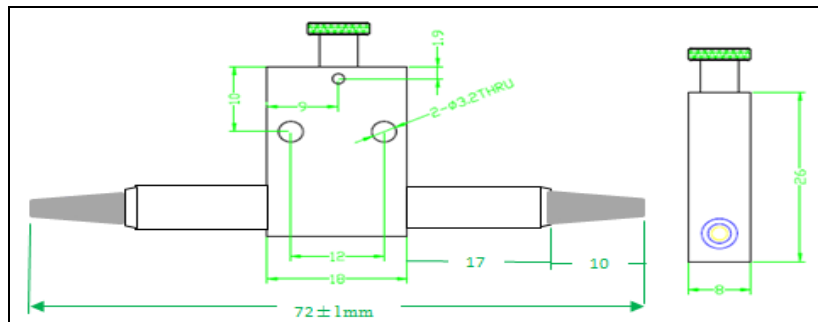
Specifications

Parameter	Value	
Wavelength (nm)	850, 1310	850&1310
Bandwidth (nm)	±40	
Attenuation Range (dB)	0.8~30	1.0~30
Insertion Loss	≤0.8	≤1.0
Return Loss (dB)	≥30	
Fiber Type	Multimode Fiber 50/125 or 62.5/125	
Adjustment Precision (dB)	0.02	
Operating Temperature	0 ~ +70	
Storage Temperature	-40 ~ + 80	
Dimension (LxMxH) (mm)	26x16x8(P1)	

The above value is not include conenctor loss

For devices with connectors, IL will be 0.2dB higher and RL will be 20dB lower.

Package Dimension:



Ordering Information:

MMVOA	Wavelength	Adjustment Type	Fiber Type	Pigtail Type	Length	Connector
	0850=850nm 1310=1310nm 8513=850/1310nm	1=Hand Adjustment	50=MM50/125 62=MM62.5/125	1=250um bare fiber 2=900um loose tube 3=3mm loose tube 4=2mm loose tube	H=0.5m 8=0.8m 1=1.0m 5=1.5m 2=2.0m 3=3.0m 4=4.0m A=2.5m B=5.0m	0=None 1=FC/UPC 2=FC/APC 3=LC/UPC 4=LC/APC 5=SC/APC 6=SC/UPC